

FULLY WELDED, STAINLESS STEEL, TEMPERED GLASS FOOD SHIELDS

- Ready to Ship - Ships within 5 days from Atlanta, GA
- Freight Included (Contiguous 48 States)

RTS-PORTABLE-34 RTS-PORTABLE-48 RTS-PORTABLE-62

Counter Mount Optional
by Removing "U" Base

Choose from:

34" - Covers Most 2 - Well Drop-In

48" - Covers Most 3 - Well Drop-In

62" - Covers Most 4 - Well Drop-In

Adequately Covers Most Chafers, Counter Top
Induction Warmers, and Drop-Ins

(please check dimensions on other side)



TM2N-RS-48 TM2N-RS-62

Counter Mount

Choose from:

48" - Covers Most 3 - Well Drop-In

62" - Covers Most 4 - Well Drop-In

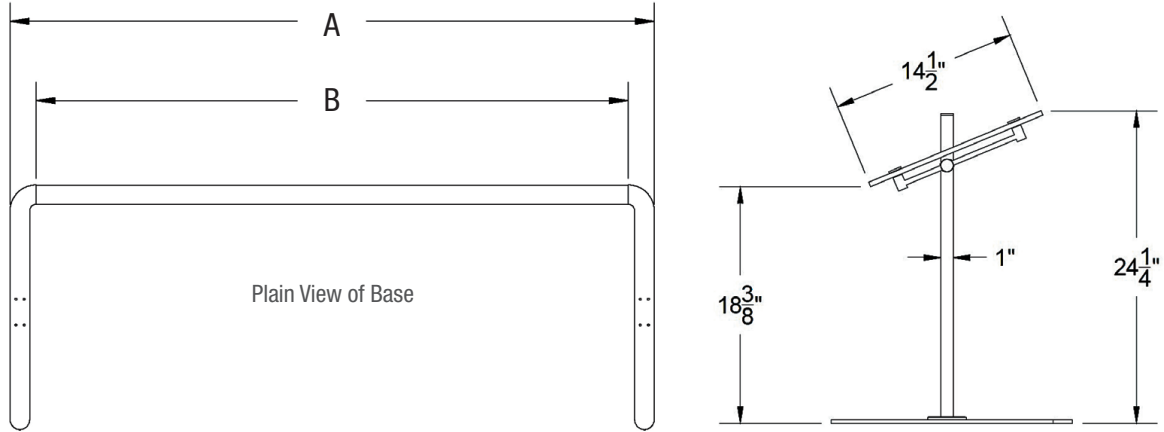


AVAILABLE ON



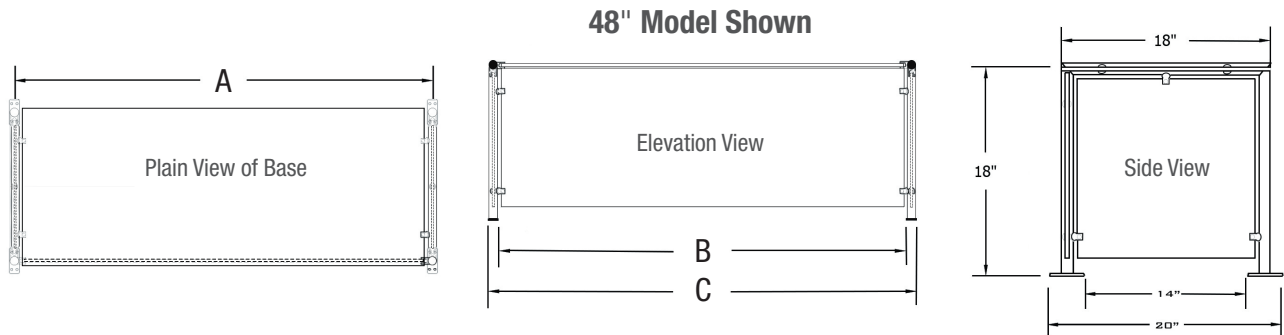
Specifications for reference only and may be changed without notice. All orders require approved shop drawings prior to release to production. Products are drawn and built to meet NSF Standard 2. It is the responsibility of the customer to ensure product meets local health board standards.

SELF SERVE ADJUSTABLE TECHNICAL SPECS



Model	RTS-Portable 34	RTS-Portable 48	RTS-Portable 62
Outer A	35 - 1/2"	49 - 1/2"	63 - 1/2"
Inner B	31 - 1/2"	45 - 1/2"	59 - 1/2"

FULL SERVE TECHNICAL SPECS



Model	TM2N-RS-48	TM2N-RS-62
Centerline A	48"	62"
Inner B	46 - 3/4"	60 - 3/4"
Outer C	49 - 1/4"	63 - 1/4"

Specifications for reference only and may be changed without notice. All orders require approved shop drawings prior to release to production. Products are drawn and built to meet NSF Standard 2. It is the responsibility of the customer to ensure product meets local health board standards.