

PROJECT NAME: _____
 ITEM NUMBER: _____
 QUANTITY: _____
 LENGTH: _____

FRAMELESS

FRAMELESS SUPPORT:

- Clear Tempered Glass
- Optional Printed Glass

MOUNTING OPTIONS:

- 640-Z Above counter Surface Mount (Standard)
- Channel trim mounting

Standard mount glass clamp as shown in render.
 Refer to mounting cut sheet or factory for more information

GLASS:

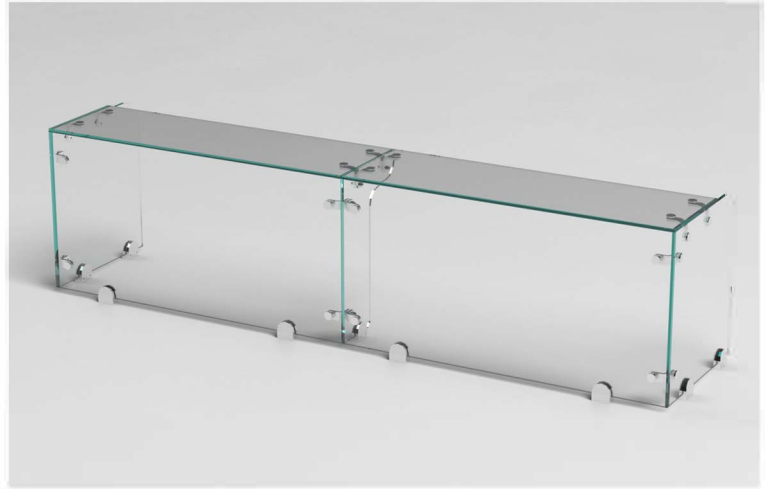
- 1/4" Glass 3/8" Glass
- 1/2" Glass

END PANELS:

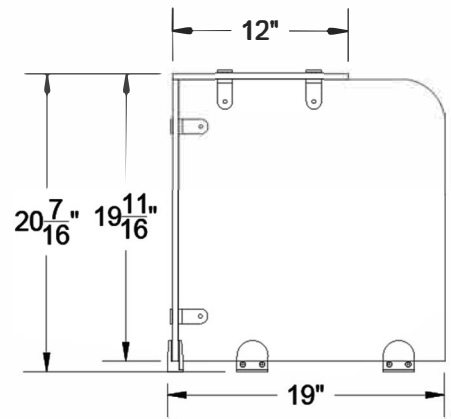
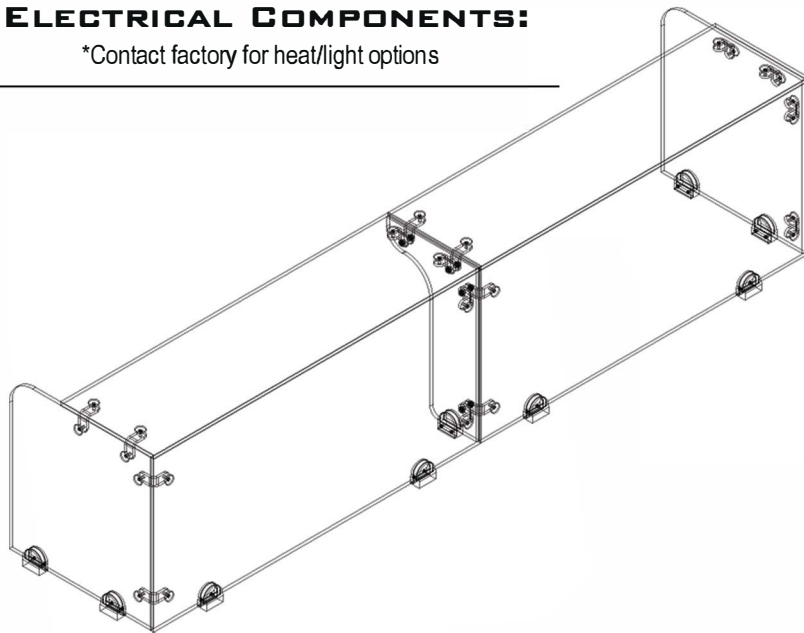
- Both (Std.) Right Only
- None Left Only

ELECTRICAL COMPONENTS:

*Contact factory for heat/light options



FRAMELESS GUARDS



Specifications for reference only and may be changed without notice. All orders require approved shop drawings prior to release to production. Products are drawn and built to customer specification. It is the responsibility of the customer to ensure product meets local health board standards.