

PROJECT NAME: _____
 ITEM NUMBER: _____
 QUANTITY: _____
 LENGTH: _____

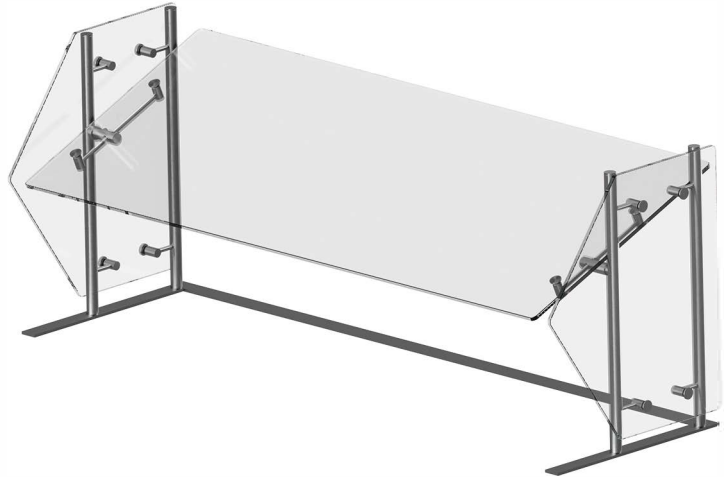
PORTABLE

GLASS:

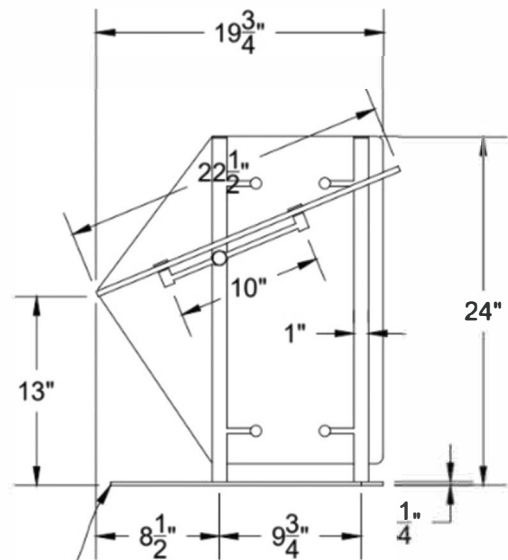
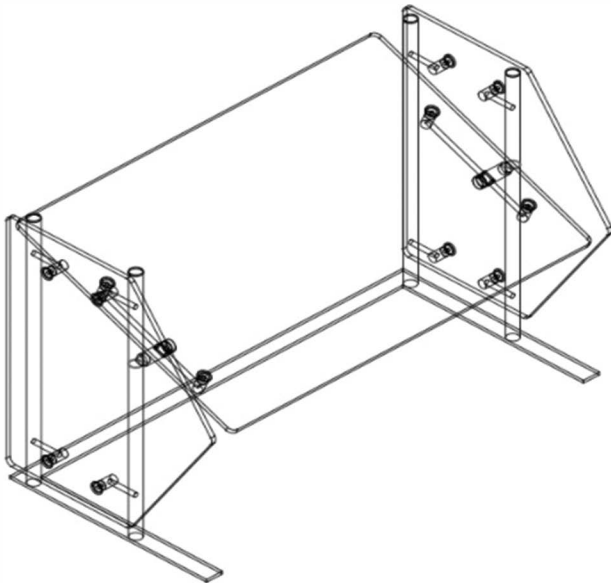
- 1/4" Glass 3/8" Glass
 1/2" Glass

END PANELS:

- Both (Std.) Right Only
 None Left Only



PORTABLE GUARDS



1/4" THK x 1-1/2" FLAT BAR

Specifications for reference only and may be changed without notice. All orders require approved shop drawings prior to release to production. Products are drawn and built to customer specification. It is the responsibility of the customer to ensure product meets local health board standards.