



PROJECT NAME: \_\_\_\_\_  
 ITEM NUMBER: \_\_\_\_\_  
 QUANTITY: \_\_\_\_\_  
 LENGTH: \_\_\_\_\_

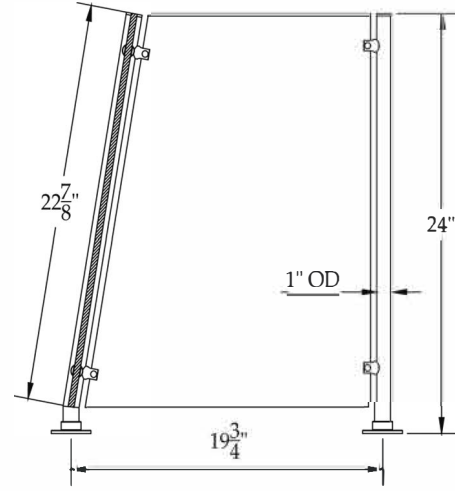
### 1 GUARD™ SUPPORT:

- 1" OD Stainless Steel  
Contact factory for additional tubing options

### COMMON FINISHES:

- |  |   |
|--|---|
| <input type="checkbox"/> Brushed (#4)                        | <input type="checkbox"/> Copper (049/63130)           |
| <input type="checkbox"/> Polished (#8)                       | <input type="checkbox"/> White Matte (049/11350)      |
| <input type="checkbox"/> Anthracite Metallic (049/79680)     | <input type="checkbox"/> Brown One Coat (049/66230)   |
| <input type="checkbox"/> No Smudge Silver (049/92790)        | <input type="checkbox"/> Kromezone (049/95001)        |
| <input type="checkbox"/> Black Matte Fine (049/80830)        | <input type="checkbox"/> Bronze (049/66220)           |
| <input type="checkbox"/> Black Smoke Transparent (049/80375) | <input type="checkbox"/> Low Light Bronze (049/61120) |
| <input type="checkbox"/> Flat Black (049/80350)              | <input type="checkbox"/> Beige (049/15240)            |
| <input type="checkbox"/> RAL# _____ or                       | <input type="checkbox"/> PMS # _____                  |

Image does not include end panels as required by NSF standards



**FULL SERVICE**

### GLASS:

- 1/4" Glass - 48" Max. Span
- 3/8" Glass - 60" Max. Span  
Contact factory for spans exceeding max.

### END PANELS:

- Both (Std.)     Right Only
- None             Left Only

As required by NSF/ANSI 2 standards, all food shields will be quoted with side end panels unless customer requests otherwise. Standards available upon request.

### MOUNTING OPTIONS:

Some mounting options may not be available on some cantilevered/counter substrate combinations. Refer to mounting cut-sheet or contact factory for additional information.

- |   |   |
|---|---|
| <input type="checkbox"/> 641/1 Above counter Surface Mount                                    | <input type="checkbox"/> 640B-2/1 Above Counter Surface Mount with Stainless Flange Cover |
| <input type="checkbox"/> 644/1 Narrow Above counter Surface Mount                             | <input type="checkbox"/> 644B-3/1 Above Counter Surface Mount with Stainless Flange Cover |
| <input type="checkbox"/> 223 Through Counter Mount (standard when rear legs are not possible) | <input type="checkbox"/> Other: _____   |

### ELECTRICAL COMPONENTS:

#### LIGHTS ONLY

- Ultra-Slim™ LED Display Light 4000k (Std.)  
Ideal over refrigerated product areas

#### HEAT STRIP ONLY

- Hatco GRNM Narrow Max Watt Heat Lamp (Std.)  
(Other Hatco heat strips available)

#### HEAT/LIGHT COMBO

- Hatco GRNM Narrow Max Watt Heat Lamp and Ultra-slim™ LED Lights 4000k(Std.)(with external driver)  
(other Hatco heat/combo units available)

Please see electrical cut sheet for additional options and wiring diagram.

Specifications for reference only and may be changed without notice. All orders require approved shop drawings prior to release to production. Products are drawn and built to customer specification. It is the responsibility of the customer to ensure product meets local health board standards.