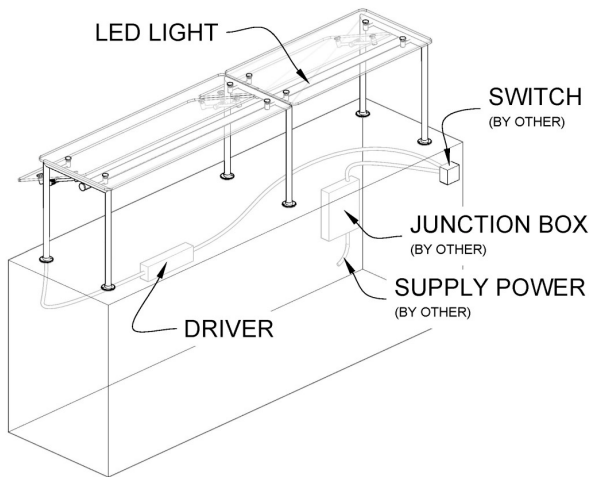


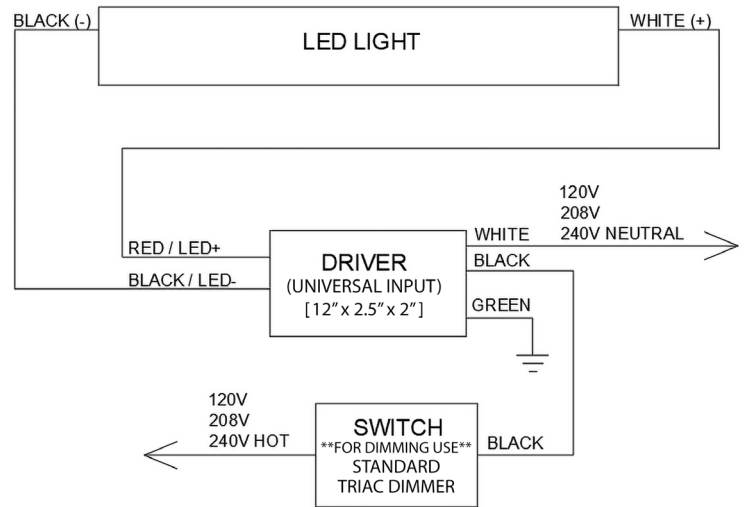
PREMIER ULTRA-SLIM LINEAR LIGHT SPECIFICATION

- PMG food shields with Ultra-Slim linear light fixtures are UL listed with mark prominently displayed.
- Finish typically made to match the food guard; anodized aluminum (satin, polished, custom)
- Driver is enclosed in a UL listed box which mounts under counter. Consult Factory for other specifications.

GENERAL WIRING GUIDELINES



SCHEMATIC



ADDITIONAL LAMP SPECIFICATIONS

Wattage: W/f WPF ¹	Brightness: lm/f LPF ¹	Efficacy: lm/W LPW ¹
4.2	330	79

¹Based On 4000K Color Temp

LED Color	Description
27	Warm (2700K)
30	Warm (3000K)
35	Warm White (3500K)
40 (Standard Color Temp)	Neutral White (4000K)
50	Cool White (5000K)

Driver Description	Input	Amps	Output
96W, 24VDC, Class 2	120VAC	1.0 (max)	24VDC

TIP: One 96W driver can power up to 20' of light. Consult factory for tips on grouping or locating power to minimize installation cost and frustration.

Note: PMG Ultra-Slim LED lighting is dimmable from 0-100% using a standard wall dimmer / triac dimmer before the driver. (120V driver only, universal driver is not dimmable)

Universal drivers that accept power sources from 120-277Vac, 50/60Hz are available upon request; however; these drivers are not dimmable.

Specifications for reference only and may be changed without notice. All orders require approved shop drawings prior to release to production. Products are drawn and built to meet NSF Standard 2. It is the responsibility of the customer to ensure product meets local health board standards.

